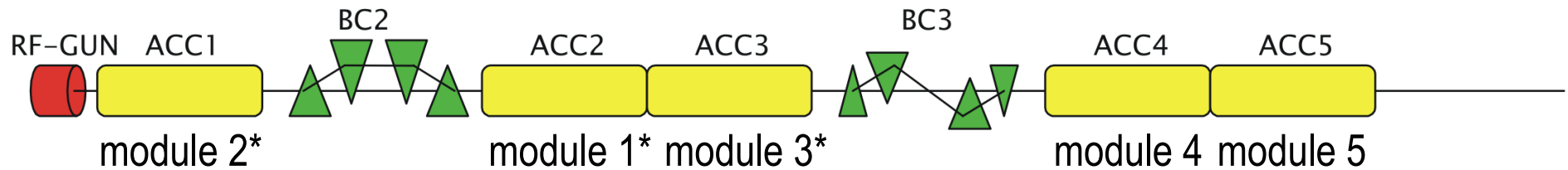


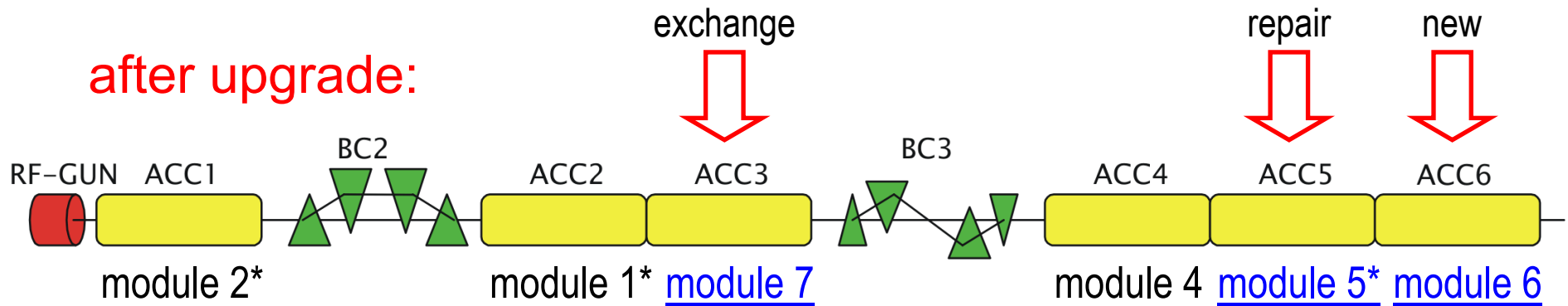
FLASH LINAC Upgrade

FLASH LINAC

before upgrade:



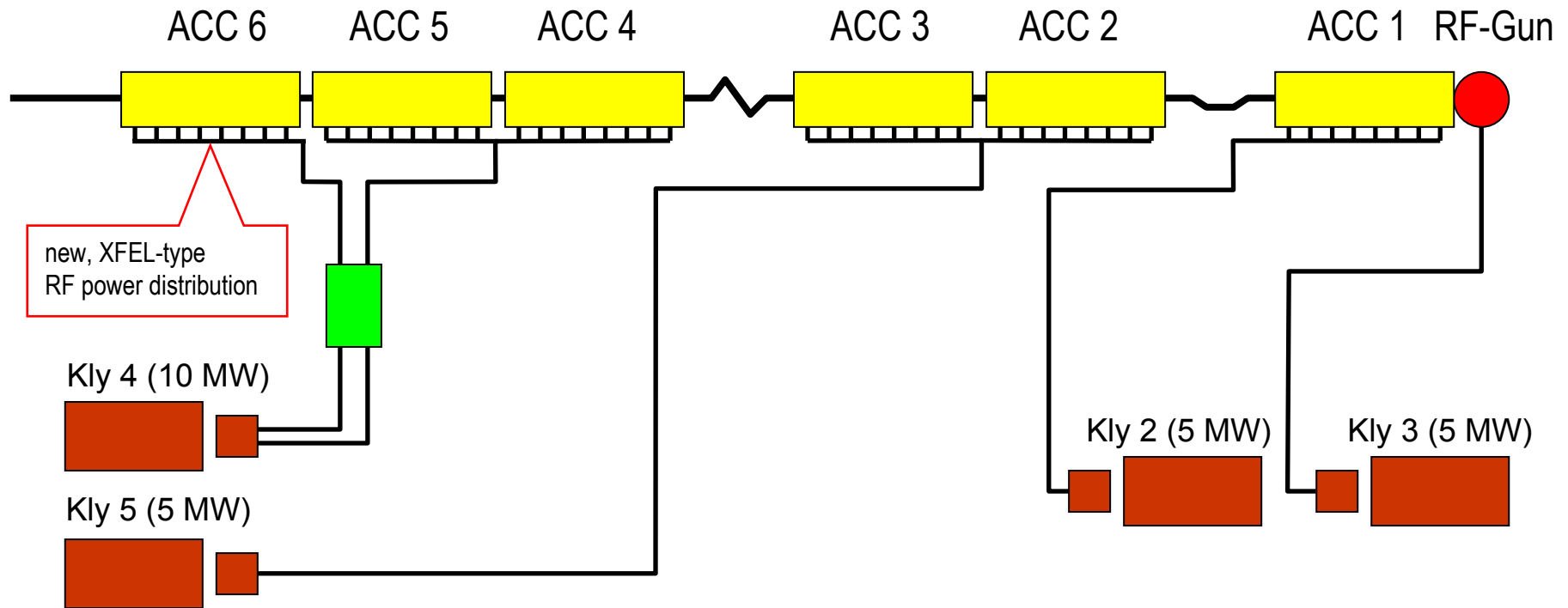
after upgrade:



FLASH LINAC

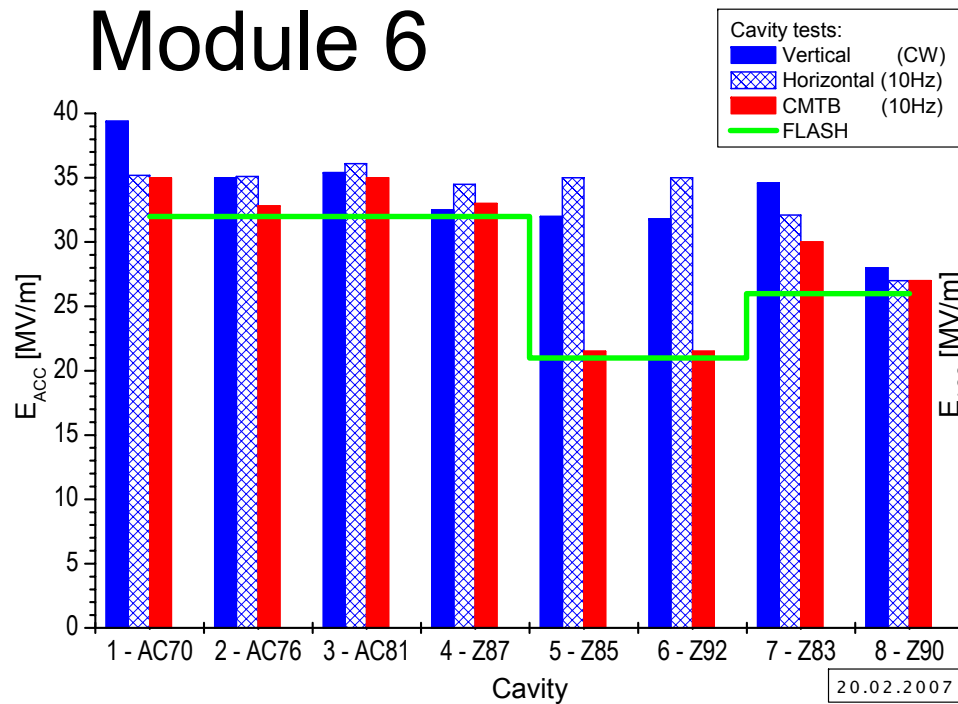
ACC	before	after	comments
1	module 2*	module 2*	no changes
2	module 1*	module 1*	no changes
3	module 3*	module 7	new module - test at CMTB
4	module 4	module 4	no changes
5	module 5	module 5*	repaired module (cavity tuning motors)
6	---	module 6	new module - tested at CMTB
7	LOLA	LOLA	next upgrade with new module (8): plan

RF power distribution



New modules

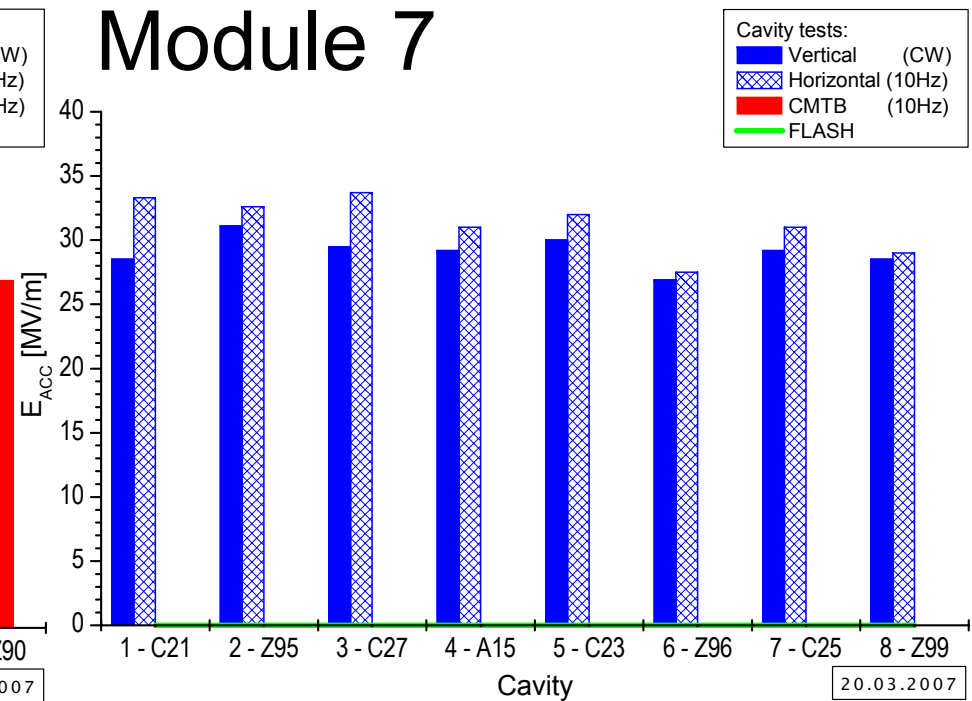
Module 6



module 6: $\langle E_{acc} \rangle = 27 \text{ MV/m}$

beam energy: 224 MeV

Module 7



Time plan

