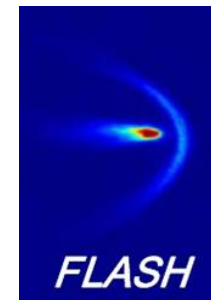


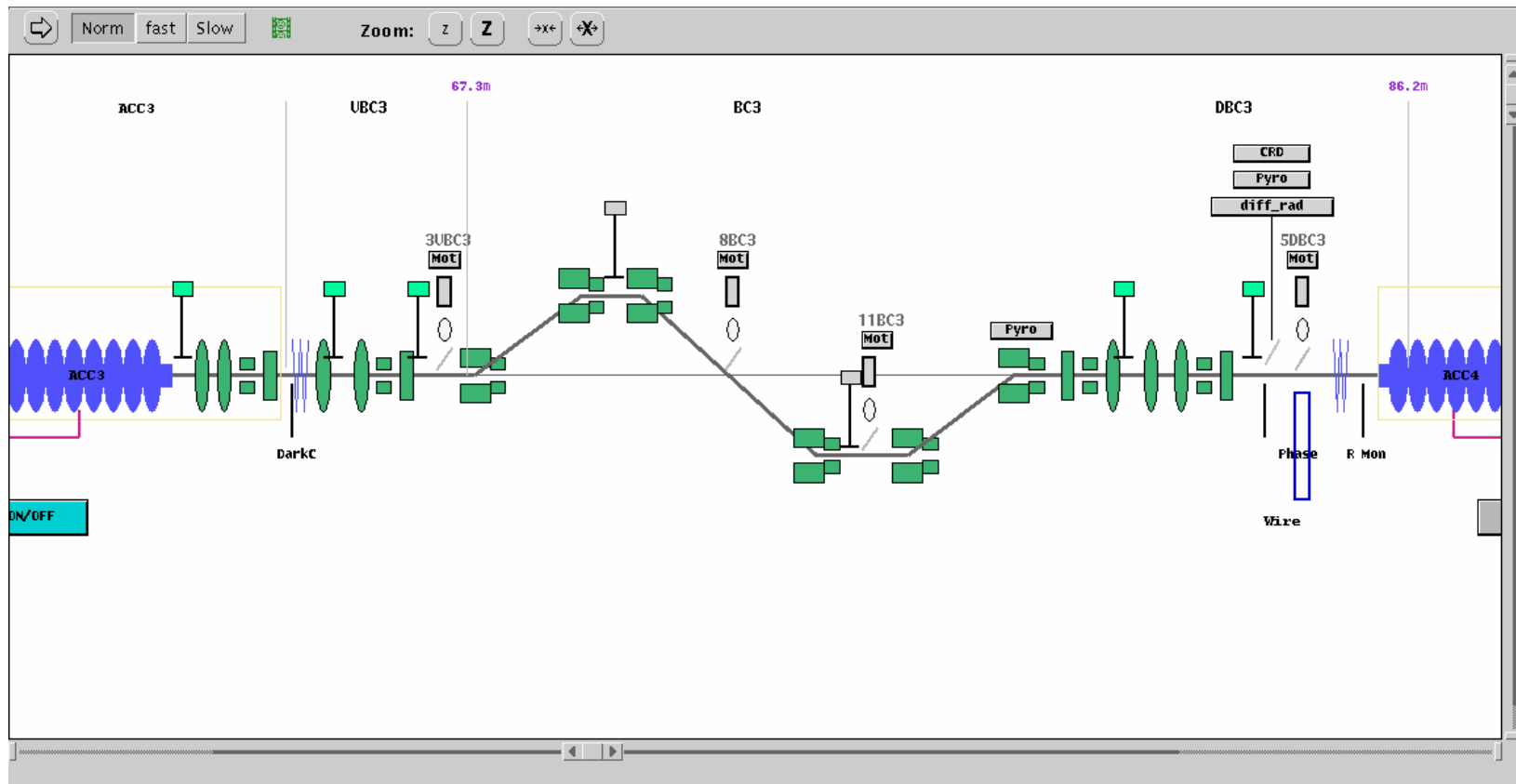


Limitation due to new chicane BPM in BC3



Holger Schlarb, Kirsten Hacker, Jan Hauschildt, Nils Mildner
DESY
22607 Hamburg

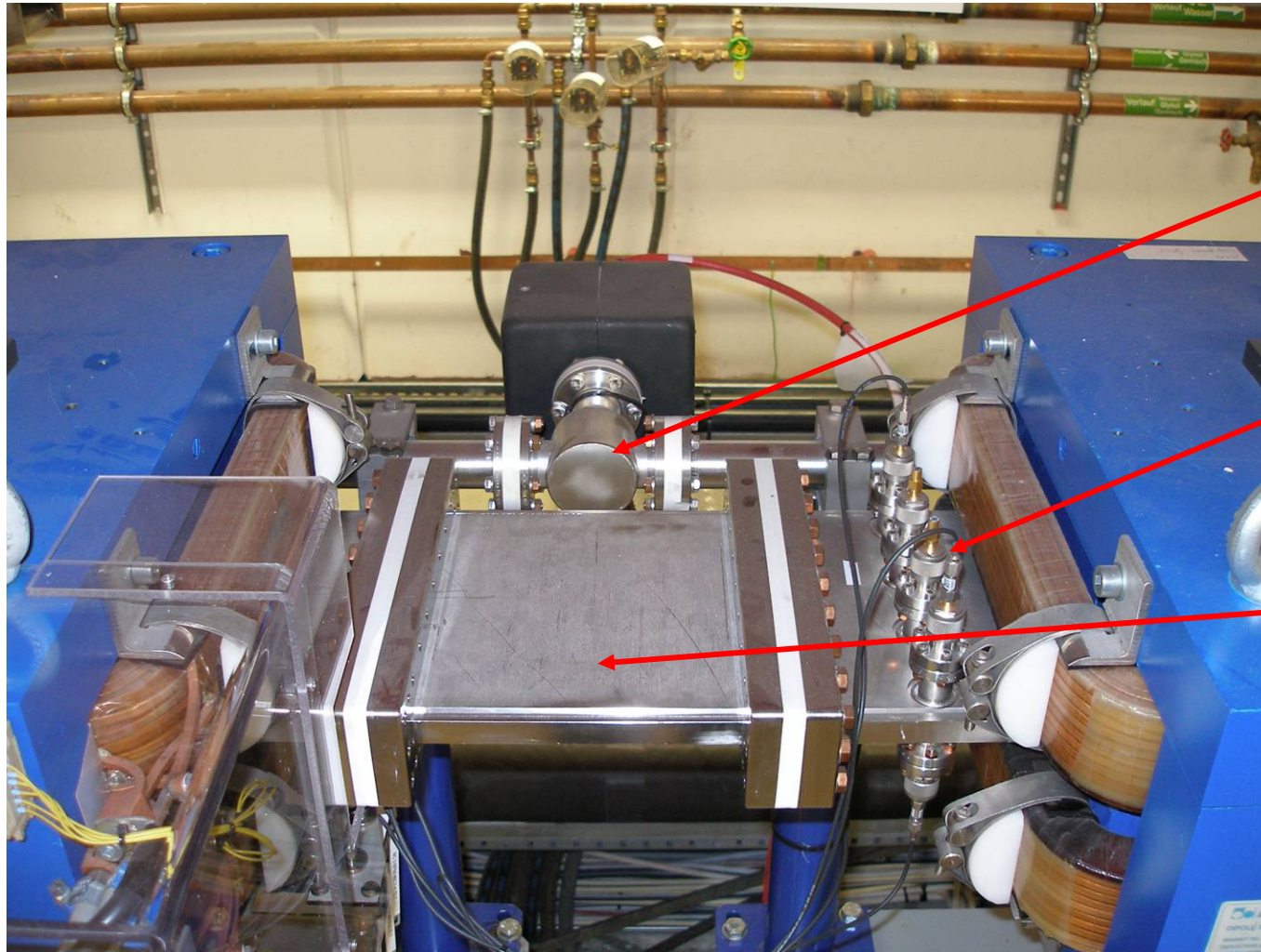
BC3 currently



2/8/2007

Holger Schlarb, DESY

BC3 currently



Vacuum Chamber
For pumping

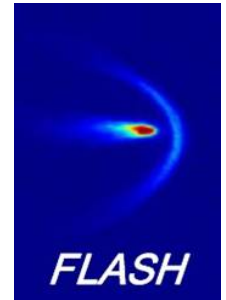
Old Button
BPM

Spare
chamber

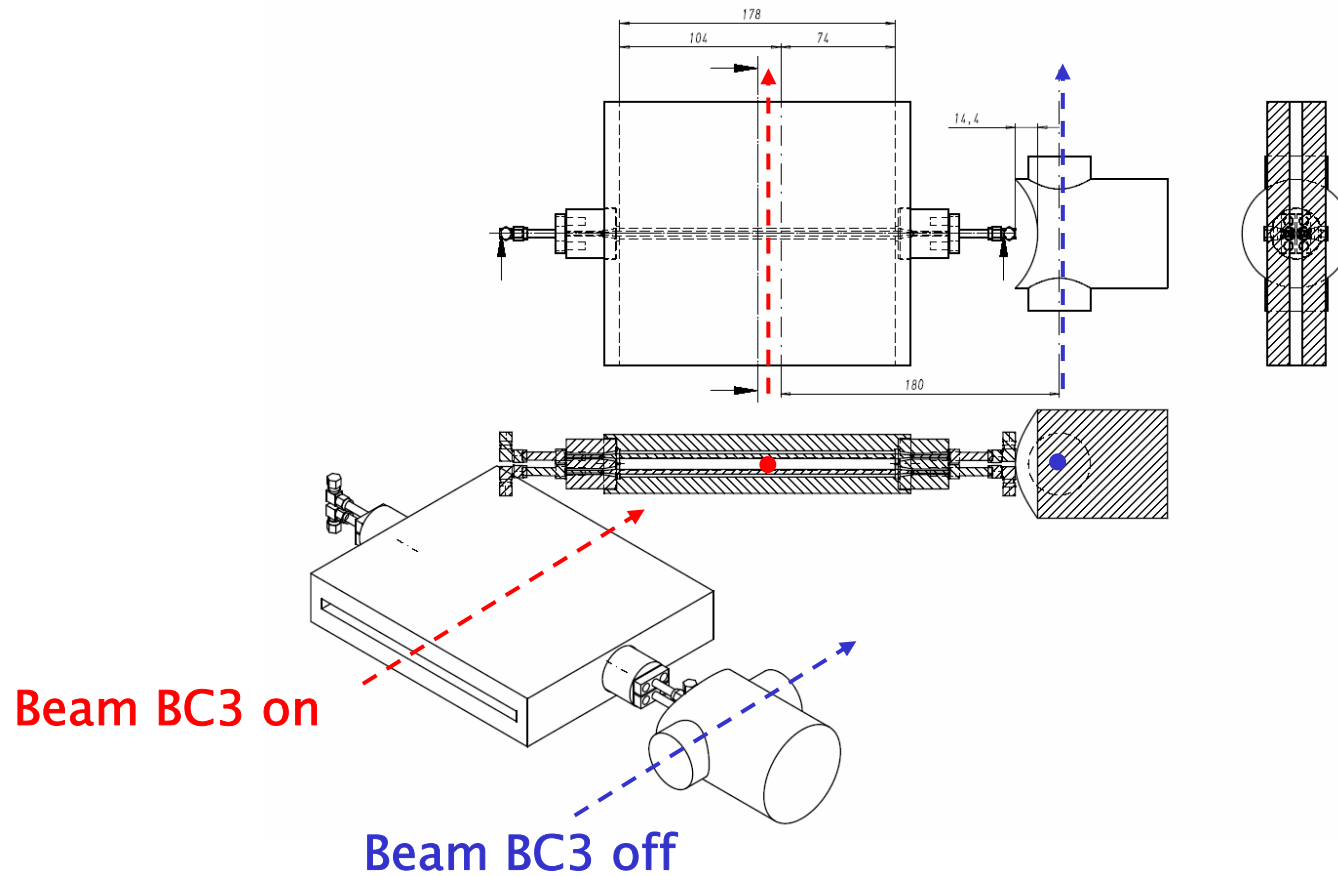
2/8/2007

Holger Schlarb, DESY

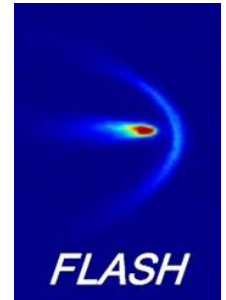
BPM layout



- bunch compressor BC3 between D2 & D3



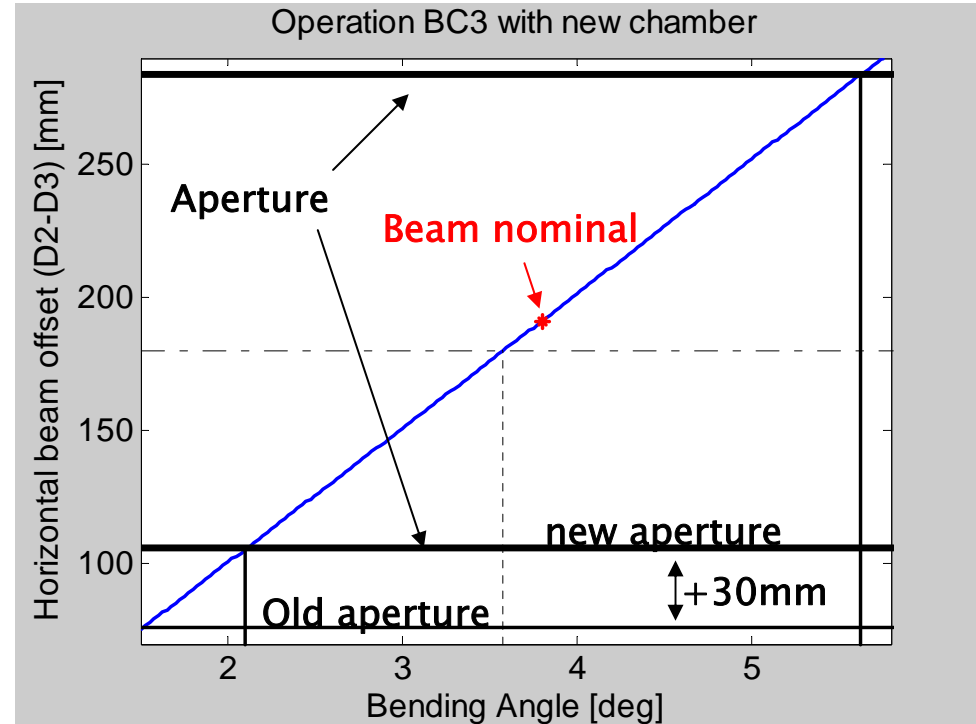
Limitation on bend angle



- Beam offset for different bending angle

X-Aperture min old = 76 mm
 X-Aperture min new = 106 mm
 X-Aperture max o&n = 284 mm
 X-Aperture center = 180 mm
 X-beam nominal = 191 mm

Bend angle min old = 1.50 deg
 Bend angle min new = 2.10 deg
 Bend angle max o&n = 5.63 deg
 Bend angle center = 3.58 deg
 Bend angle nominal = 3.80 deg



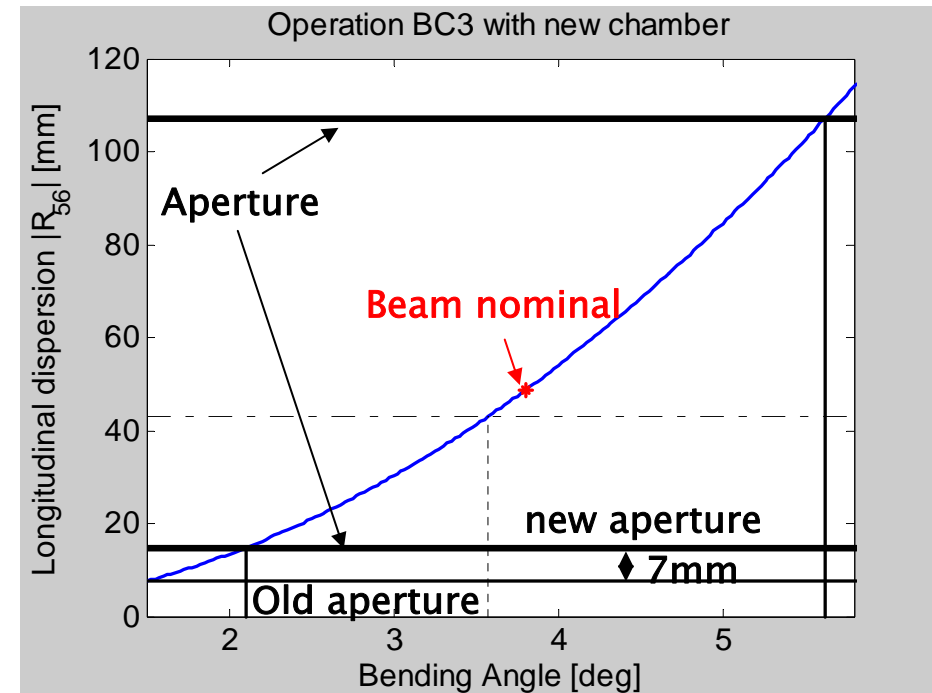
Limitation long. dispersion



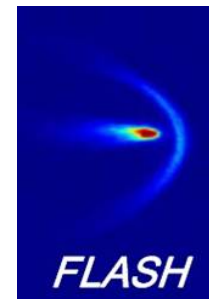
- Longitudinal dispersion for different bending angle

Long disp. min old = 8 mm
 Long disp. min new = 15 mm
 Long disp. max o&n = 107 mm
 Long disp. center = 43 mm
 Long disp. nominal = 49 mm

Bend angle min old = 1.50 deg
 Bend angle min new = 2.10 deg
 Bend angle max o&n = 5.63 deg
 Bend angle center = 3.58 deg
 Bend angle nominal = 3.80 deg



Limitation on hor. dispersion



- Horizontal dispersion for different bending angle

X-Aperture min old = 76 mm
 X-Aperture min new = 106 mm
 X-Aperture max o&n = 284 mm
 X-Aperture center = 180 mm
 X-beam nominal = 191 mm

Hor. disp. min old = 75 mm
 Hor. disp. min new = 106 mm
 Hor. disp. max o&n = 286 mm
 Hor. disp. center = 181 mm
 Hor. disp. nominal = 192 mm

